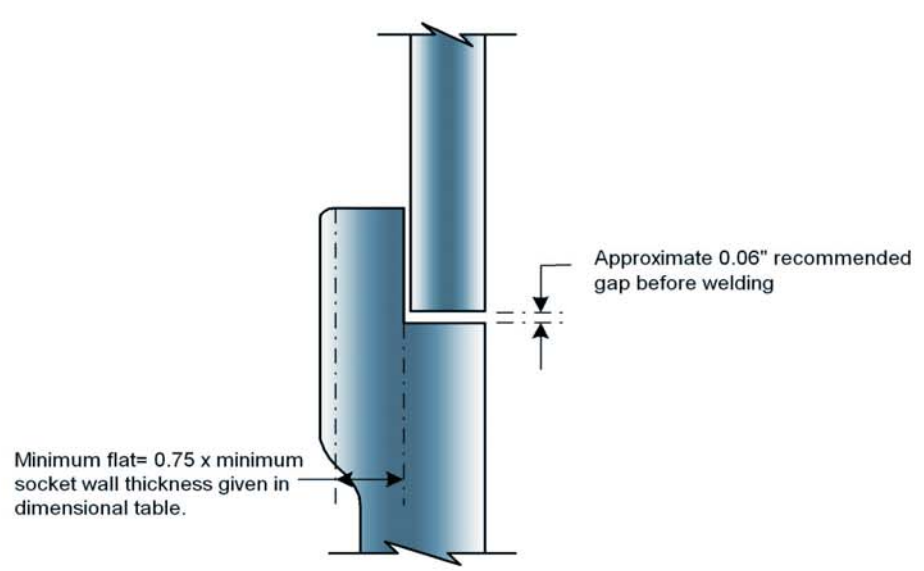
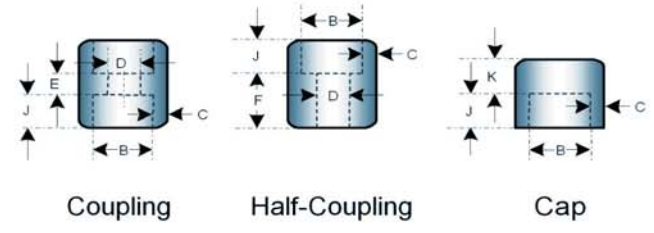
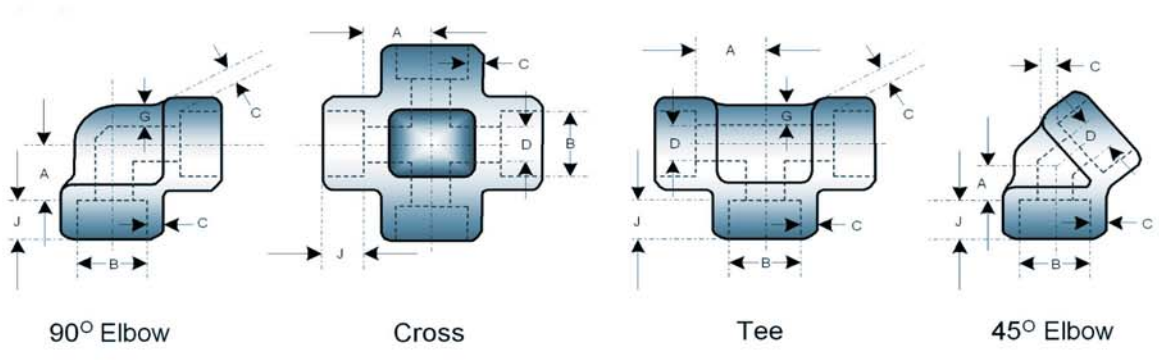
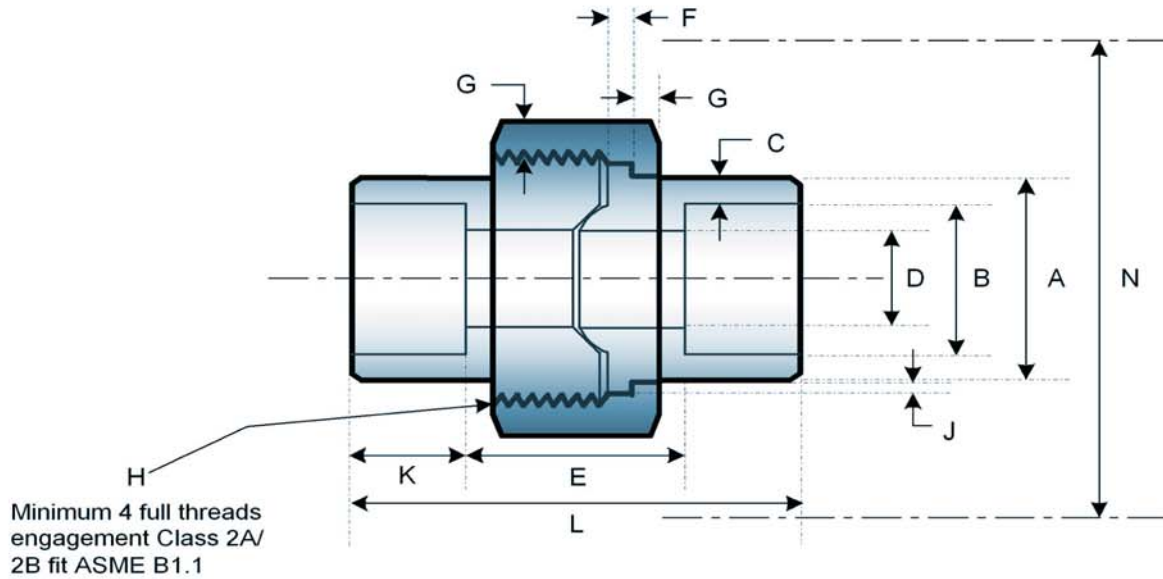


Dimensions of Forged Socket-Welding Fittings to ASME B16.11



Welding Gap and Minimum Flat Dimensions for Socket-Welding Fittings

Dimensions of Class 3000 Socket Weld Unions- MSS SP-83



Nominal Pipe Size NPS	Pipe End Min. A	Socket Diameter Max/Min B	W.T. of Socket C	Waterway Bore Max/Min ⁽¹⁾ D	Laying Length Max/Min E	Male Flange Min. F	Nut Thickness Min. G	Threads Per Inch H	Bearing Surface Min. J	Socket Depth Min. K	Assem. Length Nominal L	Clear Assem. Nut N
1/8	0.86	0.440 0.420	0.125	0.299 0.239	0.88 0.75	0.125	0.125	16	0.049	0.38	1.63	2.0
1/4	0.86	0.575 0.555	0.130	0.394 0.334	0.88 0.75	0.125	0.125	16	0.049	0.38	1.63	2.0
3/8	1.02	0.710 0.690	0.138	0.523 0.463	1.06 0.81	0.135	0.135	14	0.054	0.38	1.81	2.2
1/2	1.23	0.875 0.855	0.161	0.652 0.592	1.06 0.81	0.145	0.145	14	0.059	0.38	1.93	2.3
3/4	1.46	1.085 1.065	0.168	0.854 0.794	1.25 1.00	0.160	0.160	11	0.066	0.50	2.24	2.6
1	1.79	1.350 1.330	0.196	1.079 1.019	1.35 1.03	0.180	0.175	11	0.073	0.50	2.44	3.1
1 1/4	2.16	1.695 1.675	0.208	1.410 1.350	1.60 1.28	0.210	0.205	10	0.084	0.50	2.80	3.7
1 1/2	2.42	1.935 1.915	0.218	1.640 1.580	1.66 1.34	0.230	0.220	10	0.091	0.50	3.01	4.4
2	2.96	2.426 2.406	0.238	2.097 2.037	1.79 1.47	0.260	0.250	10	0.106	0.62	3.39	5.2
2 1/2	3.61	2.931 2.906	0.302	2.529 2.409	2.43 2.05	0.295	0.280	8	0.121	0.62	4.03	5.9
3	4.30	3.560 3.535	0.327	3.128 3.008	2.51 2.11	0.325	0.315	8	0.139	0.62	4.29	6.9

All dimensions are given in inches.

Notes:

(1) The contact diameter of the male/female tailpiece is affected by the waterway bore (D).